

Secure Release Anywhere™

Secure print, tracking and management solution - with mobile first

Pull print technology isn't new, but PrinterOn has reinvented it by providing a unique solution that cost-effectively extends pull printing to mobile users.

Only PrinterOn delivers a combined solution that enables secure print, tracking and management of all print workflows whether mobile or desktop. A single, centrally managed solution delivers a consistent user experience, reporting for cost control and compliance, along with increased IT efficiency. All this saves time and money for everyone.

Why do I need pull print?

Pull print is a necessary part of your mobile print strategy and provides a way to reduce infrastructure and optimize print.

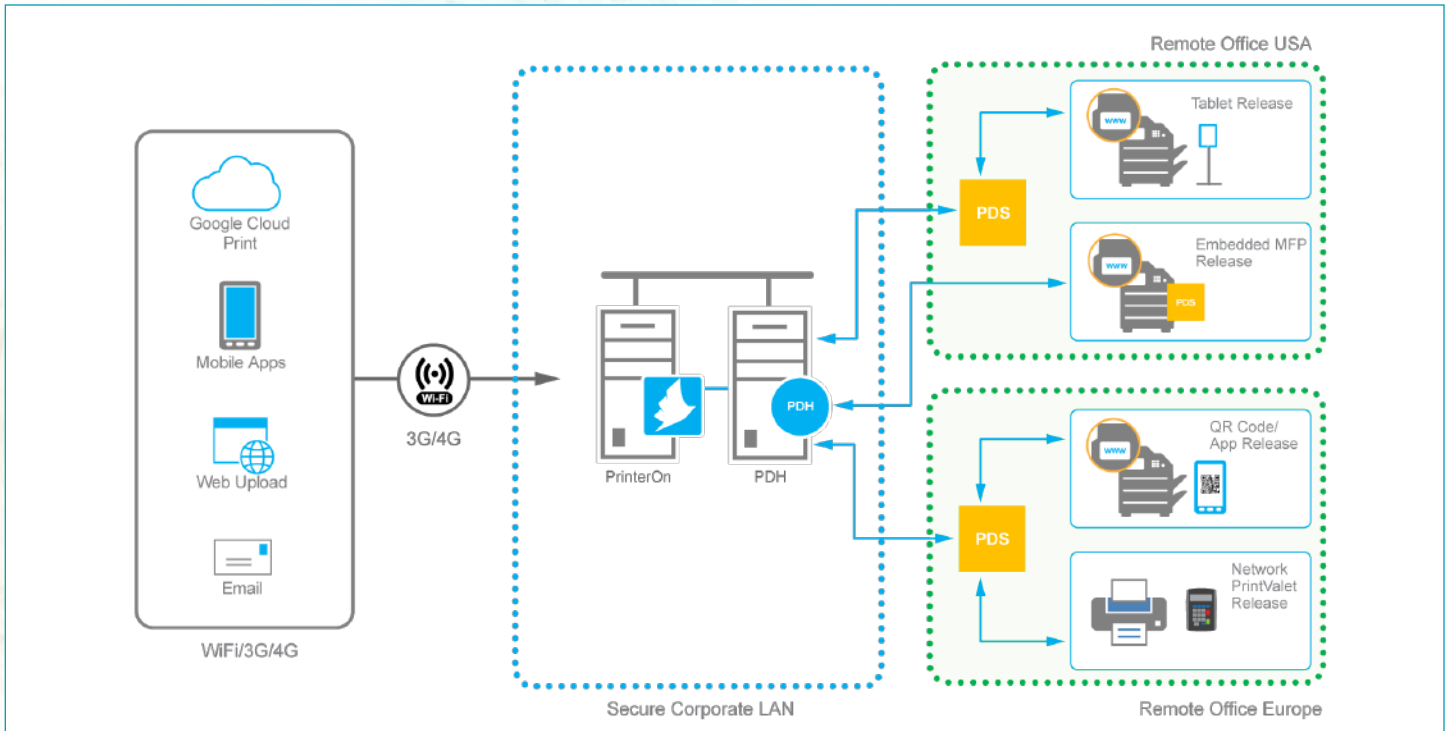
- **Reduce waste:** 20% of all print is waste. Secure Release Anywhere prevents documents from automatically printing. Forgotten documents won't be left on the printer and end up in the recycling bin.
- **Increase security:** Requiring authentication at the printer adds a further layer of security to corporate data by virtually assuring that no physical prints are left behind.
- **Reduce infrastructure:** Eliminate expensive personal printers that require more maintenance and consumables. With PrinterOn, every enabled printer on the network is secure.
- **Reduce print servers:** PrinterOn requires only one print server on the corporate network to run your entire print system.
- **Increase productivity:** Users can pick a printer after submission and release documents from any enabled printer near them. Batch printing can be held in queue for release at a later time requiring only one trip to the printer.
- **Reduce support calls:** Printing problems are the second most common support call after password resets. Reduce those calls by providing the ability to release documents from another printer if one is out of service.



Secure Release Anywhere: Pull Printing with a Difference

- Mobile and pull print in a combined solution
- Network and printer agnostic
- Documents can be pre-downloaded to multiple locations
- Global central job storage for "pull on demand"
- Direct print and pull print to the same printer at the same time
- Independent options can be set for direct print and pull print on the same printer
- Multiple release station options: browser-based, mobile app, embedded, network PrintValet keypad

Advanced Secure Release Anywhere Architecture



Supported Secure Release Anywhere Features for PrinterOn Editions

| Features | Cloud Hosted | Enterprise Cloud Hosted | Enterprise On-Premise |
|--|--------------|-------------------------|-----------------------|
| Printers are on single (flat) network | ● | ● | ● |
| Printers are across multiple networks in any cloud, on premise or hosted | ● | ● | ● |
| Store print jobs for x-hours | ● | ● | ● |
| Store in central storage for x-hours | ● (72 hours) | ● | ● |
| Pre-download to multiple release stations (on multiple networks) | ● | ● | ● |
| Delete/keep central storage copy after download or release | ● | ● | ● |
| Auto-generated secure release codes | ● | ● | ● |
| LDAP/AD Authentication | | ● | ● |
| - Authenticate at print and also release | | ● | ● |
| - Matched usernames | | ● | ● |
| - Automatic release code generation for guests | | ● | ● |
| PrinterOn Authentication | ● | ● | ● |
| - Authenticate at print and also release | ● | ● | ● |
| - Matched usernames | ● | ● | ● |
| Release Station Options | ● | ● | ● |
| - Browser-based (MFP, tablet, smartphone, PC or Mac) | ● | ● | ● |
| - Mobile app (iOS or Android), release from any network, QR code release | ● | ● | ● |
| - Embedded HP WorkPath | ● | ● | ● |
| - Embedded Ricoh HotSpot | ● | ● | ● |
| - Embedded Brother BSI (Europe only) | | | ● |
| - Embedded Brother Cloud BSI (Europe only) | ● | | |
| - PrinterOn network PrintValet keypad (release code support for any printer, pull print support for MFP and single function devices) | ● | ● | ● |